

# CYTOVIEW-Z 384 DATASHEET

## Z384-IMP-384B BLACK



Each well contains 1 interdigitated electrode.

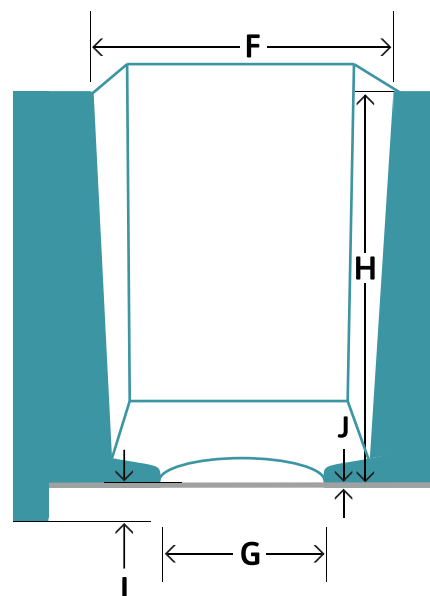
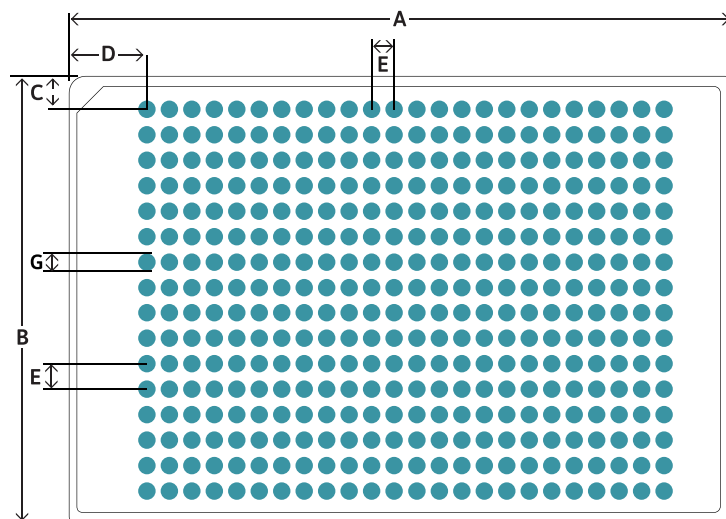
ELECTRODE SPACING: 100  $\mu\text{m}$   
ELECTRODE WIDTH: 100  $\mu\text{m}$   
RECORDING AREA: 4.9  $\text{mm}^2$

*The CytoView-Z 384 delivers high-quality impedance results with a transparent well bottom for cell visualization and assay multiplexing.*

## PLATE INFORMATION

Electrode material: Gold; Surface material: PET

PLATE DIMENSIONS	
Plate Length (A)	127.76 mm
Plate Width (B)	85.48 mm
A1 Offset (Row) (C)	9.06 mm
A1 Offset (Column) (D)	12.18 mm
Well-to-Well Distance (E)	4.50 mm
Well Width (Top) (F)	3.74 mm
Well Diameter (Bottom) (G)	2.50 mm
Well Height (H)	12.98 mm
Well Bottom Elevation (I)	1.13 mm
Base Thickness (J)	0.15 mm
Well Volume	150 $\mu\text{l}$



## STORING AND HANDLING

- Store in clean, dry environment at room temperature
- Do not expose to ultraviolet light
- Do not autoclave
- Use clean gloves when handling plates
- Designed for one-time cell plating
- 12-month warranty from date of receipt

## SOFTWARE REQUIREMENTS

CytoView-Z 384 plates require AxIS Z 3.2 software or later.

Please contact us if you have any questions or need assistance with a software upgrade.

